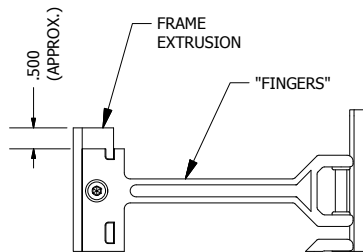


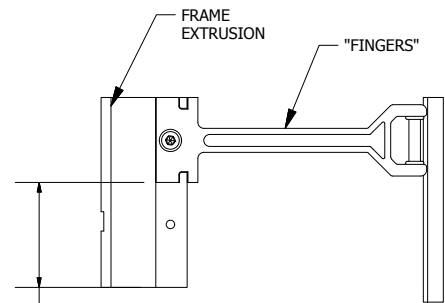
**STANDARD 2-POST RACK**  
 (BHRR194, BHRR234  
 OR XDR84XX-XXX)  
**SHOWN FOR REFERENCE ONLY**

**VIEW 1**  
 BHRR MOUNTING HOLE LOCATIONS  
 (SIDE VIEW)

**VIEW 2**



**DETAIL A**



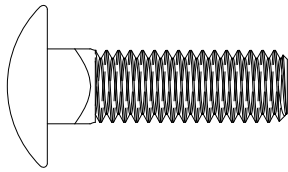
**DETAIL B**

**ASSEMBLY INSTRUCTIONS**

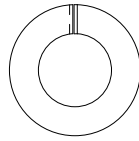
1. MOUNT THE RACK TO THE FLOOR USING THE APPROPRIATE MOUNTING METHOD.
2. REMOVE THE CABLE MANAGER DOORS.
3. THE VERTICAL MANAGER WILL ATTACH TO THE RACK AT THE HOLE LOCATIONS 4" AND 66" FROM THE BOTTOM AS SHOWN IN VIEW 1.
4. ALIGN THE VERTICAL FINGER MANAGER (ITEM #2) TO THE EQUIPMENT RACK (ITEM #1) AS SHOWN IN VIEW "2". ENSURE THE RELATIVE POSITIONS OF THE FINGERS & EXTRUSION ARE ORIENTED AS SHOWN. TOP OF MANAGER, DETAIL "A" BOTTOM OF MANAGER, DETAIL "B"

**BHVH0"X" / BHVHH0"X"**  
 LOW DENSITY / HIGH DENSITY  
 VERTICAL FINGER MANAGERS  
 ("X" WIDTH IN INCHES)

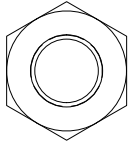
<b>BELDEN</b>				
<small>THIS DRAWING AND ALL INFORMATION CONTAINED HEREIN IS THE PROPERTY OF BELDEN. ANY USE, COPY OR REPRODUCTION OF THIS MATERIAL WITHOUT WRITTEN PERMISSION OF BELDEN IS PROHIBITED.</small>				
BHVH / BHVHH				
VERTICAL FINGER MANAGER				
INSTRUCTIONS				
BY	KRB	DATE	1/10/17	REV 0
PAGE 1 OF 7				



**ITEM 1.1**  
3/8-16 X 1-1/4" CARRIAGE BOLT



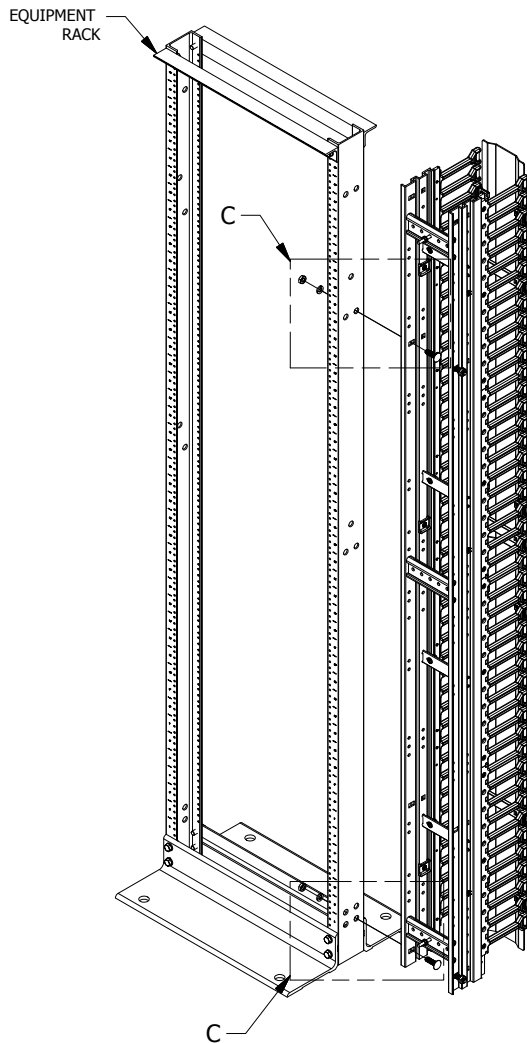
**ITEM 1.2**  
3/8" LOCK WASHER



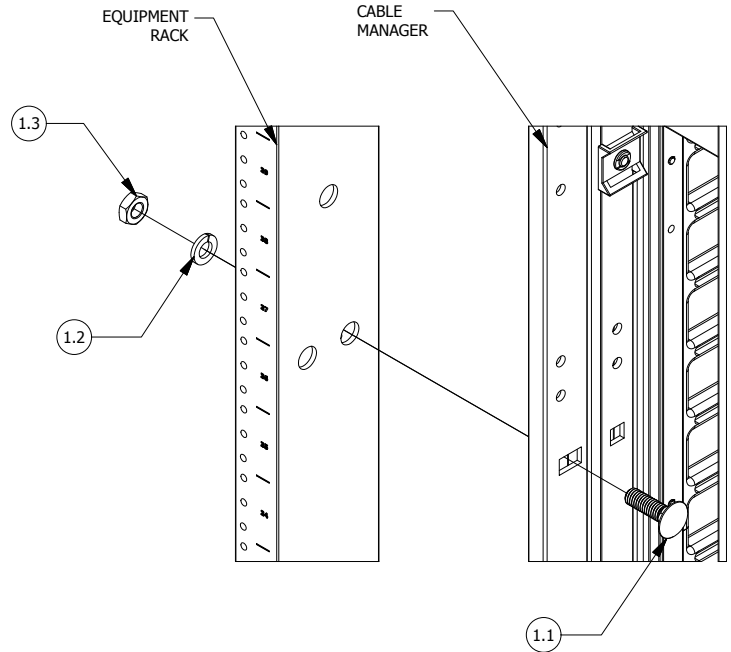
**ITEM 1.3**  
3/8-16 HEX NUT

PARTS LIST			
ITEM	QTY	PART NUMBER	DESCRIPTION
1	1	BHVH-HDE-KIT-A	HARDWARE TO MOUNT MANAGER-TO-RACK
BHVH-HDE-KIT-A CONTAINS:			
1.1	4	PK# 92097	3/8-16 x 1.1/4 CARRIAGE BOLT BLK
1.2	4	PK# 93101	3/8 LOCK WASHER - BLACK OXIDE.ipt
1.3	4	PK# 94311	3/8-16 HEX NUT - BLACK

BHVH-HDE-KIT-A CONTAINS HARDWARE TO MOUNT  
CABLE MANAGER TO (2) EQUIPMENT RACKS



**VIEW 3**



**DETAIL C**  
TYP (2) PLACES

### ASSEMBLY INSTRUCTIONS

(SINGLE EQUIPMENT RACK)

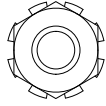
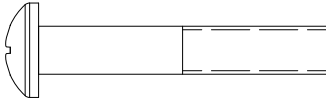
- ATTACH THE CABLE MANAGER USING
  - (1) 3/8-16 X 1-1/4" SQUARE NECK CARRIAGE BOLTS (ITEM #1.1)
  - (1) 3/8" LOCK WASHERS (ITEM #1.2)
  - (1) 3/8" HEX NUTS (ITEM #1.3)
 AS SHOWN IN DETAIL "C"  
TYPICAL (2) PLACES

## BHVH-HDE-KIT-A

MOUNTING KIT, MANAGER-TO-RACK

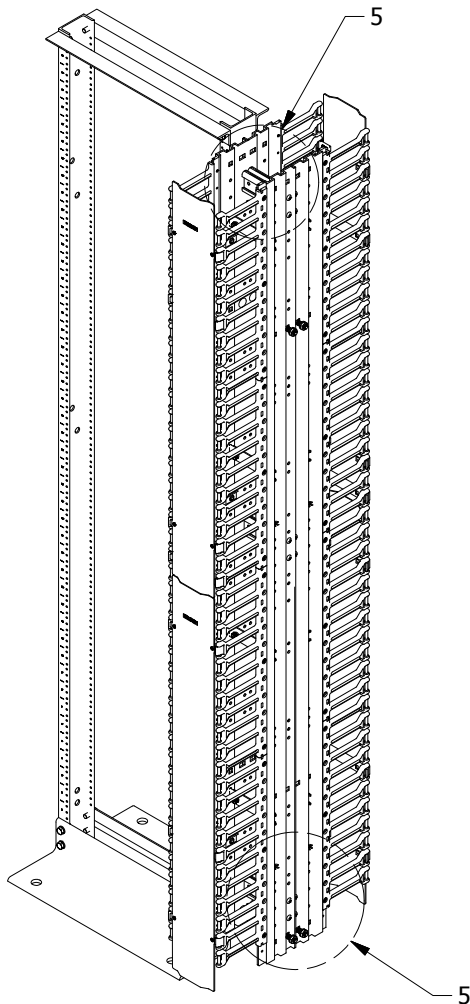
<b>BELDEN</b>				
<small>THIS DRAWING AND ALL INFORMATION CONTAINED HEREIN IS THE PROPERTY OF BELDEN. ANY USE, COPY OR REPRODUCTION OF THIS MATERIAL WITHOUT WRITTEN PERMISSION OF BELDEN IS PROHIBITED.</small>				
BHVH / BHVHH				
VERTICAL FINGER MANAGER				
INSTRUCTIONS				
BY	KRB	DATE	1/10/17	REV 0
PAGE 2 OF 7				

PARTS LIST			
ITEM	QTY	PART NUMBER	DESCRIPTION
1	2	BHVH-HDE-KIT-B	HARDWARE TO MOUNT MANAGER-TO-MANAGER
		BHVH-HDE-KIT-B KIT CONTAINS	
1.1	2	PK# 91779	MS 1/4-20X1 1/2 PHP ZN DBRC
1.2	2	PK# 94088	1/4-20 KEP NUT DBR-CON

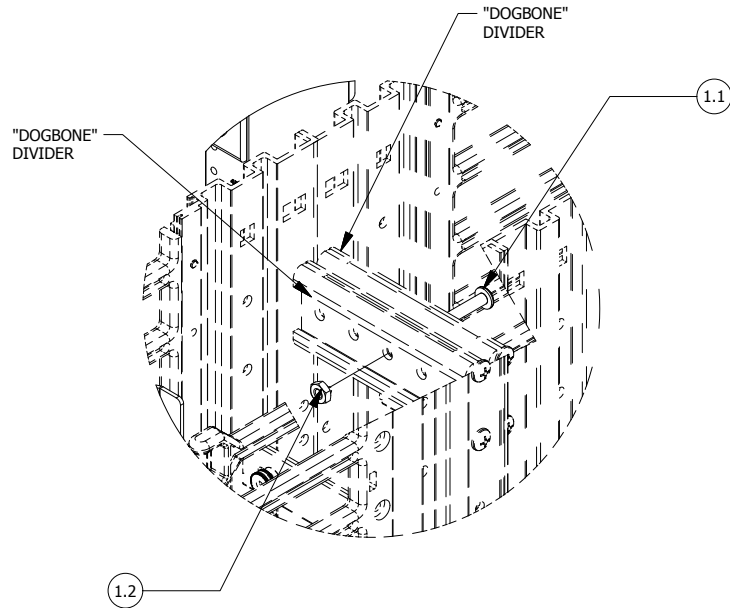


**ITEM 1.1**  
MS 1/4-20 X 1-1/2" PHP

**ITEM 1.2**  
1/4-20 KEP NUT



**VIEW 4**  
BVVHH  
DOUBLE-SIDED HIGH DENSITY  
VERTICAL FINGER MANAGER



**VIEW 5**  
MOUNTING DETAIL  
TYP (2) PLACES

**ASSEMBLY INSTRUCTIONS**

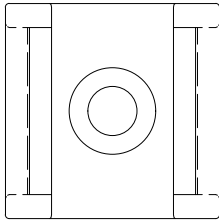
1. FOR BVVHH (DOUBLE-SIDED HIGH DENSITY MANAGER) MOUNT TWO (2) BVVH MANAGERS TO THE RACK AS SHOWN IN VIEW 4, USING THE INSTRUCTIONS ON PAGES 1 & 2.
2. FASTEN BOTH BVVH MANAGERS TO EACH OTHER USING  
(1) MS 1/4-20 X 1-1/2" PHP (ITEM #1.1)  
(1) 1/4-20 KEP NUT (ITEM #1.2)  
PASS THE 1/4-20 X 1-1/2" SCREW THRU THE "DOG BONE" DIVIDERS LOCATED AT THE REAR OF EACH CABLE MANAGER. FASTEN WITH 1/4"-20 KEP NUT AS SHOWN IN VIEW 5 TYPICAL (2) PLACES

**BHVH-HDE-KIT-B**  
MOUNTING KIT, MANAGER-TO-MANAGER

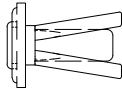
<b>BELDEN</b>				
<small>THIS DRAWING AND ALL INFORMATION CONTAINED HEREIN IS THE PROPERTY OF BELDEN. ANY USE, COPY OR REPRODUCTION OF THIS MATERIAL WITHOUT WRITTEN PERMISSION OF BELDEN IS PROHIBITED.</small>				
BVVH / BVVHH				
VERTICAL FINGER MANAGER				
INSTRUCTIONS				
BY	KRB	DATE	1/10/17	REV 0
PAGE 3 OF 7				

PARTS LIST			
ITEM	QTY	PART NUMBER	DESCRIPTION
	1	BHVH-CTM-KIT	CABLE STRAP MOUNTING KIT
		BHVH-CTM-KIT CONSISTS OF:	
1	6	PK# 22401	CABLE STRAP MOUNT
2	6	PK# 22399	REMOVABLE RIVET

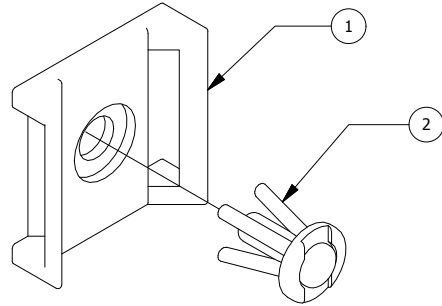
BHVH-CTM-KIT CONTAINS PARTS FOR SIX (6) CABLE STRAP MOUNTS



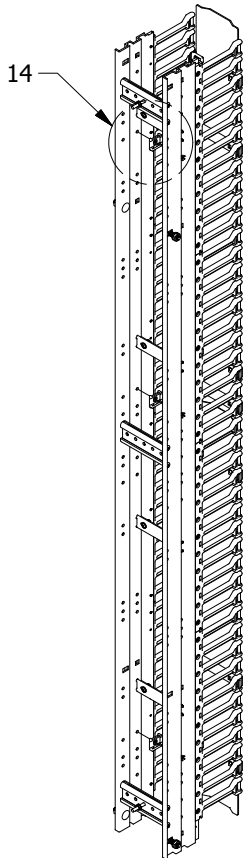
**CABLE STRAP MOUNT**  
(ITEM #1)



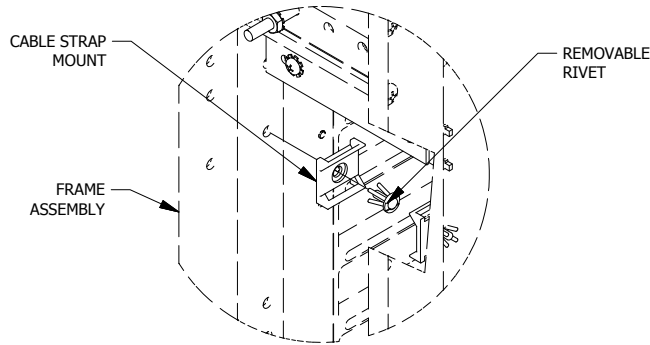
**REMOVABLE RIVET**  
(ITEM #2)



**BHVH-CTM-KIT**



**BHVH**  
VERTICAL CABLE MANAGER



**VIEW 14**  
(TYP)

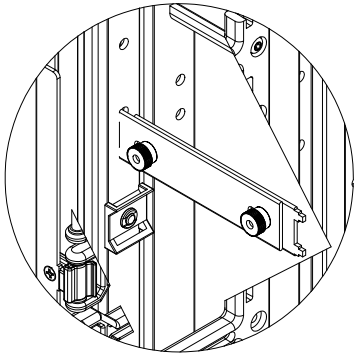
**ASSEMBLY INSTRUCTIONS**

ATTACH THE CABLE STRAP MOUNT TO THE INSIDE OF THE FRAME ASSEMBLY BY INSERTING THE REMOVABLE RIVET THROUGH THE HOLE IN THE CABLE STRAP MOUNT AND THE SELECTED HOLE IN THE FRAME.

SEE VIEW 14

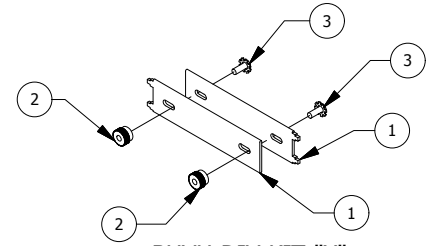
**CABLE STRAP MOUNT INSTALLATION**

<b>BELDEN</b>				
<small>THIS DRAWING AND ALL INFORMATION CONTAINED HEREIN IS THE PROPERTY OF BELDEN. ANY USE, COPY OR REPRODUCTION OF THIS MATERIAL WITHOUT WRITTEN PERMISSION OF BELDEN IS PROHIBITED.</small>				
<b>BHVH / BHVHH</b>				
<b>VERTICAL FINGER MANAGER</b>				
<b>INSTRUCTIONS</b>				
BY	KRB	DATE	1/10/17	REV 0
PAGE 4 OF 7				



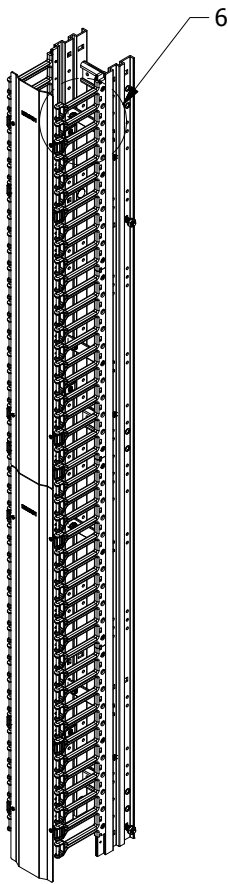
PARTS LIST			
ITEM	QTY	PART NUMBER	DESCRIPTION
1	1	BHVB-DIV-KIT-"X"	"X" IN DIVIDER BAR KIT (4 DIVIDER BARS)
4	1	BHVB-DIV-KIT-"X" CONTAINS	
1	8	666-0035	"X"IN DIVIDER BAR
2	8	PK# 22598	#10-32 KNURLED NUT
3	8	PK# 91343	#10-32 x 1/2 SEMS PHP MS

NOTE: "X" INDICATES CABLE MANAGER WIDTH



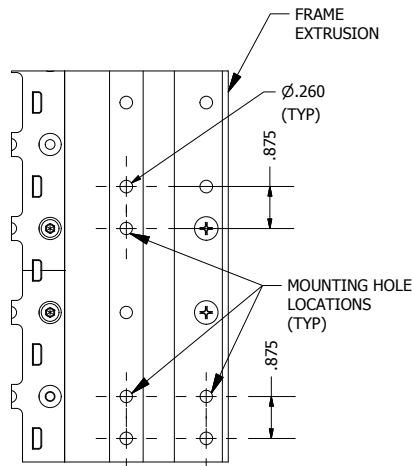
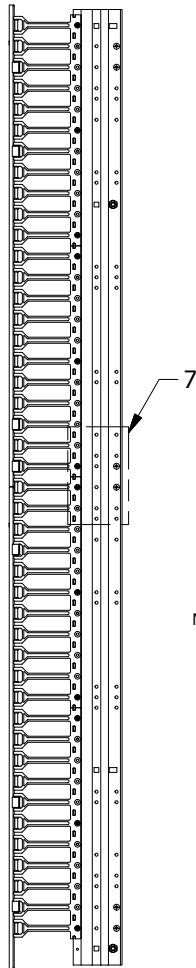
**BHVB-DIV-KIT-"X"**  
BHVB-DIV-KIT CONTAINS  
FOUR (4) DIVIDER BARS

**VIEW 6**  
(TYP)

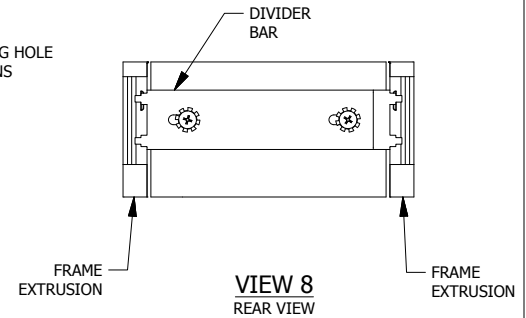


**BHVB-"X"**

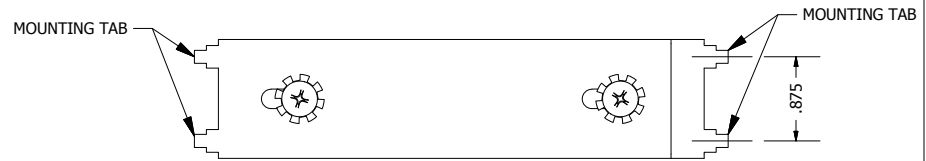
**SIDE VIEW**



**DETAIL 7**  
TYP MOUNTING LOCATIONS



**VIEW 8**  
REAR VIEW



**EXTENDED POSITION**

**ASSEMBLY INSTRUCTIONS**

LOOSEN KNURLED NUTS (ITEM #2) AND MINIMIZE PART WIDTH  
SEE VIEW 9 - CLOSED POSITION

PLACE DIVIDER BAR ASSEMBLY BETWEEN THE FRAME EXTRUSIONS AND LOCATE THE TABS IN THE MOUNTING HOLES ON ONE SIDE OF THE FRAME  
SEE VIEW 7 FOR MOUNTING HOLE LOCATIONS

MOUNTING HOLE PAIRS ARE Ø.260" AND .875" APART

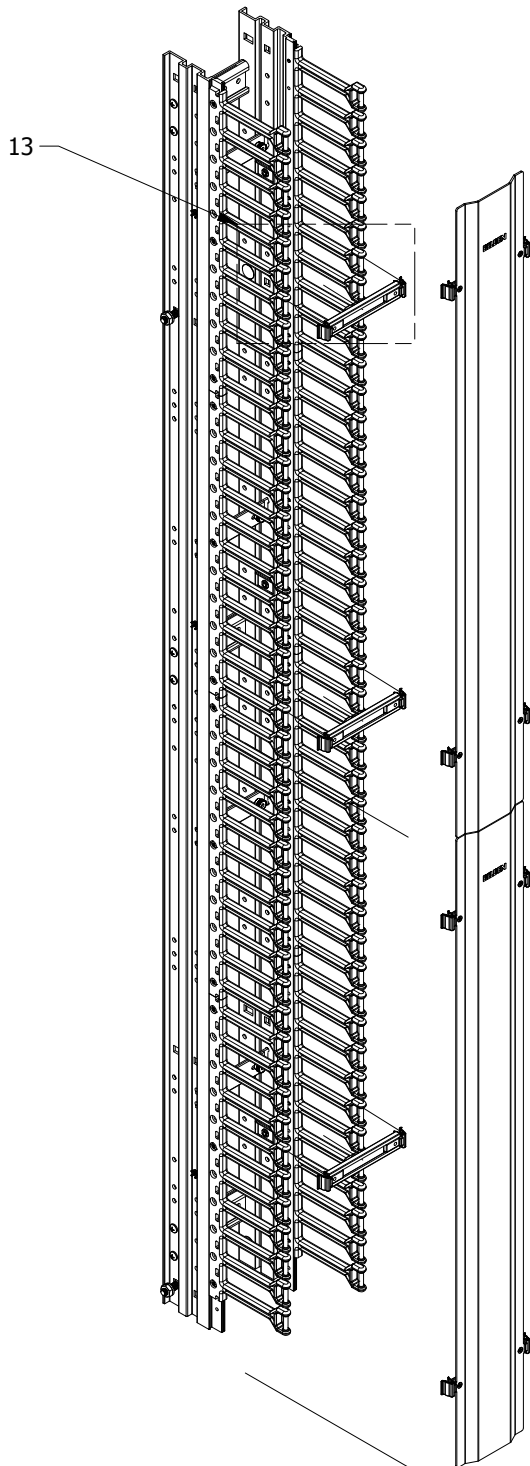
EXTEND THE DIVIDER BARS (ITEM #1) UNTIL THE TABS ENGAGE THE CORRESPONDING HOLES ON THE OPPOSITE SIDE OF THE FRAME

TIGHTEN THE KNURLED NUTS (ITEM #2) TO HOLD THE DIVIDER BAR IN PLACE

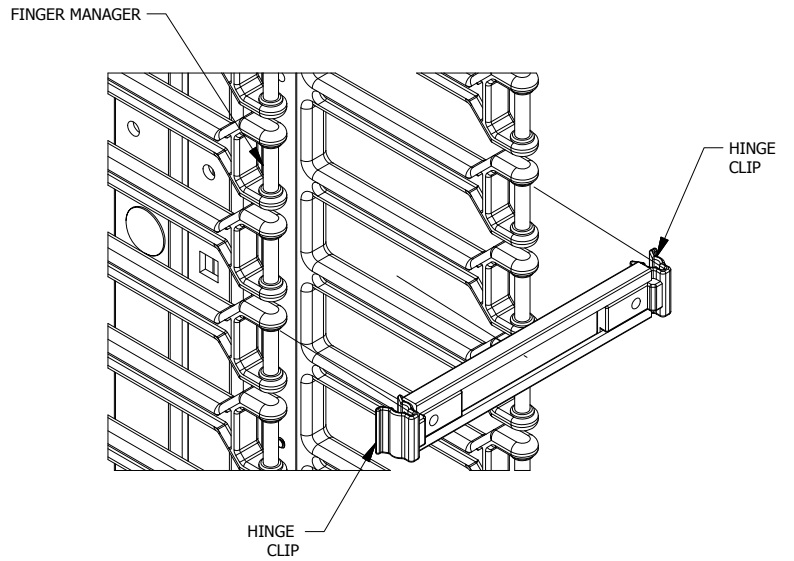
**BHVB-DIV-KIT-"X"**  
DIVIDER BAR, "X" INCHES

<b>BELDEN</b>				
<small>THIS DRAWING AND ALL INFORMATION CONTAINED HEREIN IS THE PROPERTY OF BELDEN. ANY USE, COPY OR REPRODUCTION OF THIS MATERIAL WITHOUT WRITTEN PERMISSION OF BELDEN IS PROHIBITED.</small>				
<b>BHVB / BHVHH</b>				
<b>VERTICAL FINGER MANAGER</b>				
<b>INSTRUCTIONS</b>				
BY	KRB	DATE	1/10/17	REV 0
PAGE 5 OF 7				

# RETENTION GATE INSTALLATION



VIEW 12



VIEW 13  
(TYP)

## ASSEMBLY INSTRUCTIONS

RETENTION GATES MAY BE LOCATED AT ANY POSITION ON THE FINGER MANAGER.

GATES FUNCTION UNDER THE DOORS. SEE VIEW 12.

SNAP THE HINGE CLIP ON ONE SIDE OF THE GATE TO THE FINGER AS SHOWN IN VIEW 13.

SNAP THE HINGE CLIP ON THE OPPOSITE SIDE OF THE GATE TO THE CORRESPONDING FINGER LOCATION.

GATES MAY BE ROTATED OPEN BY DISENGAGING THE HINGE CLIP ON ONE SIDE AND ROTATING THE GATE.

TO OPEN THE GATE, PULL ON THE BACK SIDE OF THE HINGE CLIPS

**BELDEN**

THIS DRAWING AND ALL INFORMATION CONTAINED HEREIN IS THE PROPERTY OF BELDEN. ANY USE, COPY OR REPRODUCTION OF THIS MATERIAL WITHOUT WRITTEN PERMISSION OF BELDEN IS PROHIBITED.

BHVH / BHVHH

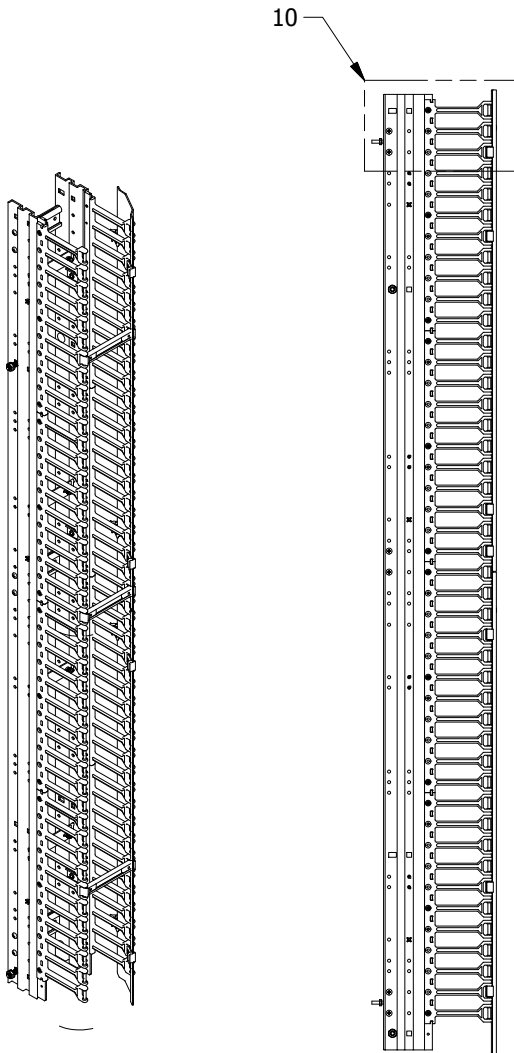
VERTICAL FINGER MANAGER

INSTRUCTIONS

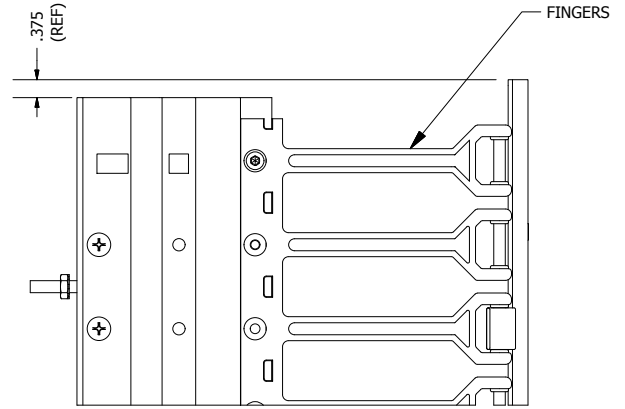
BY	KRB	DATE	1/10/17	REV	0
----	-----	------	---------	-----	---

PAGE 6 OF 7

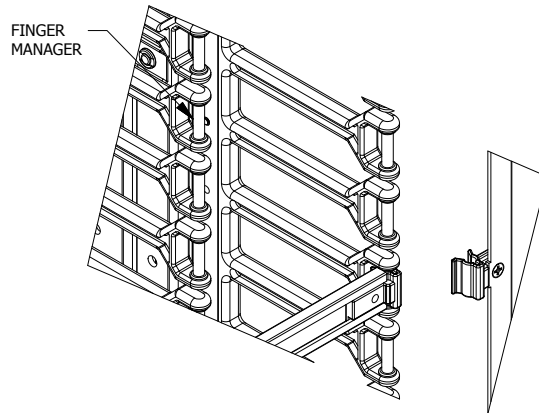
# DOOR INSTALLATION



SIDE VIEW



VIEW 10



VIEW 11

## ASSEMBLY INSTRUCTIONS

ALIGN THE TOP OF DOOR WITH TOP OF FRAME ASSEMBLY AS SHOWN IN VIEW 10. SNAP THE HINGE CLIP ON ONE SIDE OF THE DOOR TO THE FINGER AS SHOWN IN VIEW 11.

SNAP THE HINGE CLIP ON THE OPPOSITE SIDE OF THE DOOR TO THE CORRESPONDING FINGER LOCATION.

TO OPEN THE DOOR, PULL ON THE BACK SIDE OF THE HINGE CLIPS

## BELDEN

THIS DRAWING AND ALL INFORMATION CONTAINED HEREIN IS THE PROPERTY OF BELDEN. ANY USE, COPY OR REPRODUCTION OF THIS MATERIAL WITHOUT WRITTEN PERMISSION OF BELDEN IS PROHIBITED.

BHVH / BHVHH

VERTICAL FINGER MANAGER

INSTRUCTIONS

BY	KRB	DATE	1/10/17	REV	0
----	-----	------	---------	-----	---

PAGE 7 OF 7